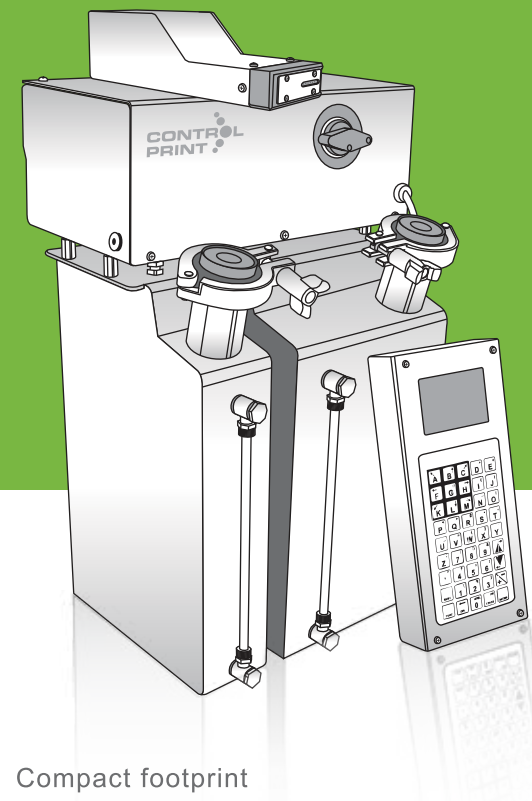


# NP100, NP200

Large Character Inkjet Printers



### Key NP100, NP200 features include:

- High Reliability in especially harsh, dusty environments, including the cement, chemicals, and steel industries
- Advanced Hydraulics System requiring no compressed air
- Electronic Valve switchover from ink to solvent greatly simplifying maintenance, startup, and shutdowns
- 7 or 17 drop per head capability enabling large logos and 1-3 lines of print
- 10mm-50mm print height
- High Print Speeds
- Compact footprint
- Low power consumption (only 100W) with no cost of external compressed air
- Macroline Software to control all printers from a single console
- Fast Dry Inks suited for a wide variety of substrates with enhanced adhesion and fade resistance

### Print Samples



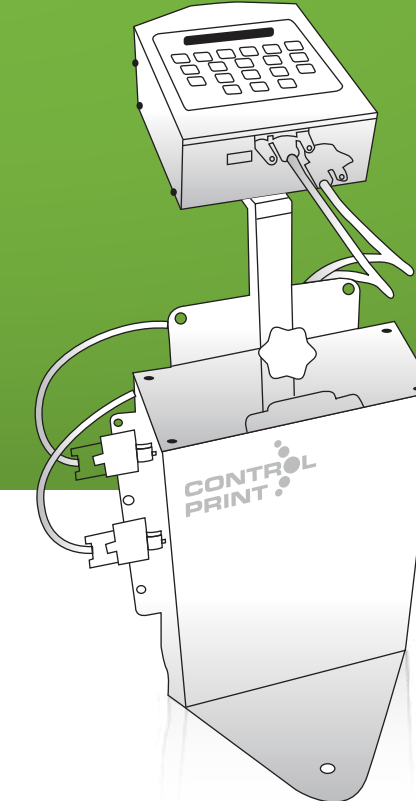
### Technical Specification

Technical Data	NP 100, NP 200
Print Heights	10-50 mm, single line 7 dot font or twin-line 17 dot font.
Number of Lines	One (in case of np-100) and two (in case of np-200)
Line Speed	0-30m/min standard, 0-60m/min high speed variant
Inks	7 litre Ink Tank & 2 litre Solvent Tank, Top Up type. Solvent, MEK, Ethanol based. (Black, Blue, Red)
Mains Supply	110/240V 50/60Hz (Intergal low-pressure air pump, no external air required)
Interfaces	RS 485 (for external computer or optional Hand Held controller) Optional Ethernet IEE802.3 10/100 auto detection Checkweigher interface via RS 485 or Ethernet Remote control from "Macroline" PC software
Languages	English
Message Storage	250 print messages internally. Unlimited storage on a host PC when running on Macroline software
PC Software	Macroline software allows: Control of up to 30 ink jet printers
	Subject to technical modification.



# P100, P200

Large Character Inkjet Printers



### Key P100, P200 features include:

- High Reliability due to modular, all stainless steel construction
- Advanced Hydraulics System requiring no expensive compressed air
- Superior economy using a simple, refillable, bulk ink system
- 7 or 16 drop per head capability enabling large logos and 1-3 lines of print
- 10mm-50mm print height
- High Print Speeds
- Compact footprint
- Low power consumption (only 100W)

### Print Samples



### Technical Specification

Technical Data	P 100, P 200
Print Heights	10 to 50 mm single line 7 dot font or twin-line 16 dot font.
Number of Lines	One or two lines of print (either one twinline for coding on one side of the product or 2 x single lines for coding on both sides of products) from one controller. If you require more than 2 lines, see the P500 Ink Jet Printer
Line Speed	0-30m/min standard, 0-60m/min high speed variant
Inks	5 litre containers Water based, black, blue, red, green, blue Ethanol for plastics (shrink wrap, clay coated boxes, timber) black, blue, red, green, blue Ethanol for concrete (bricks, tiles, blocks) black only
Mains Supply	110/240V 50/60Hz (Intergal low-pressure air pump, no external air required)
Interfaces	RS232 (for external computer or optional Hand Held controller) Optional Ethernet IEE802.3 10/100 auto detection Checkweigher interface via RS232 or Ethernet Remote control from i-Text software
Languages	English Spanish French Italian German Others on request
Message Storage	101 print messages internally. Unlimited storage on a host PC running i-Text software
PC Software	i -Text software allows: Control of up to 64 ink jet printers Data logging of production counts Backup/restore of ink jet memories Data import/export to from factory automation components Remote message design Remote logo design and download
	Subject to technical modification.

### Large Character Inkjet Printer

Technical Data	NP 100, NP 200	P 100, P 200
Print Heights	10-50 mm, single line 7 dot font or twin-line 17 dot font.	10 to 50 mm single line 7 dot font or twin-line 16 dot font.
Number of Lines	One (in case of np-100) and two (in case of np-200)	One or two lines of print (either one twinline for coding on one side of the product or 2 x single lines for coding on both sides of products) from one controller. If you require more than 2 lines, see the P500 Ink Jet Printer
Line Speed	0-30m/min standard, 0-60m/min high speed variant	0-30m/min standard, 0-60m/min high speed variant
Inks	7 litre Ink Tank & 2 litre Solvent Tank, Top Up type. Solvent, MEK, Ethanol based. (Black, Blue, Red)	5 litre containers Water based, black, blue, red, green, blue Ethanol for plastics (shrink wrap, clay coated boxes, timber) black, blue, red, green, blue Ethanol for concrete (bricks, tiles, blocks) black only
Mains Supply	110/240V 50/60Hz (Intergal low-pressure air pump, no external air required)	110/240V 50/60Hz (Intergal low-pressure air pump, no external air required)
Interfaces	RS 485 (for external computer or optional Hand Held controller) Optional Ethernet IEE802.3 10/100 auto detection Checkweigher interface via RS 485 or Ethernet Remote control from "Macroline" PC software	RS232 (for external computer or optional Hand Held controller) Optional Ethernet IEE802.3 10/100 auto detection Checkweigher interface via RS232 or Ethernet Remote control from i-Text PC software
Languages	English	English Spanish French Italian German Others on request
Message Storage	250 print messages internally. Unlimited storage on a host PC when running on Macroline software	101 print messages internally. Unlimited storage on a host PC running i-Text software
PC Software	Macroline software allows: Control of up to 30 ink jet printers	i -Text software allows: Control of up to 64 ink jet printers Data logging of production counts Backup/restore of ink jet memories Data import/export to from factory automation components Remote message design Remote logo design and download
	Subject to technical modification.	Subject to technical modification.

### Control Print Limited,

C-106, Hind Saurashtra Industrial Estate, Andheri-Kurla Road, Marol Naka, Andheri (East), Mumbai 400059, India  
t. +91 22 28599065 / 66938900 | f. +91 22 28528272 | e. ho@controlprint.com | w. www.controlprint.com

AHMEDABAD · BENGALURU · CHANDIGARH · CHENNAI · DELHI · HYDERABAD · KOLKATA · MUMBAI · NALAGARH · PUNE · VASAI